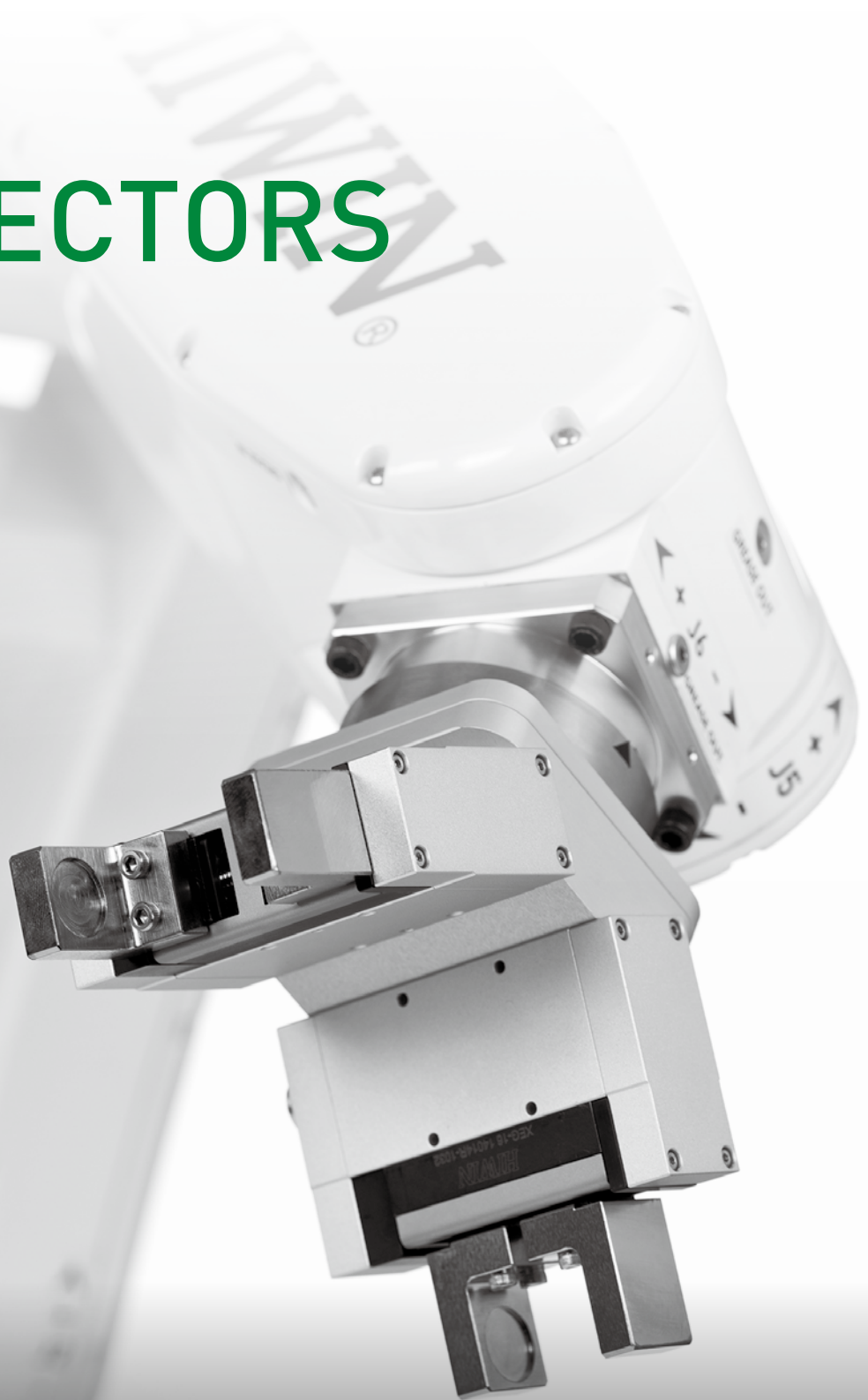


**HIWIN®**

# END EFFECTORS



INDUSTRIE 4.0 Best Partner

# Electric Gripper XEG Series



## Features

- Full range of products are integrated with stepper motor and encoder, have the feature of statuses return signal, abnormal alarm, object identification and other signal output.
- Use the miniature both-hand linear modules, to achieve high-speed, high precision, high rigidity, high efficiency and with small size advantages.
- System inbuilt with the auto-tuning original reset and the gripping model establishment, which have real-time adaptive capture, model adjustment and other intelligent functions.
- Move direction, travel, force, speed, etc. can be set, and the software has the function of recording operating history.
- Support both serial communications and I / O communications, providing user friendly feature with more flexibility.

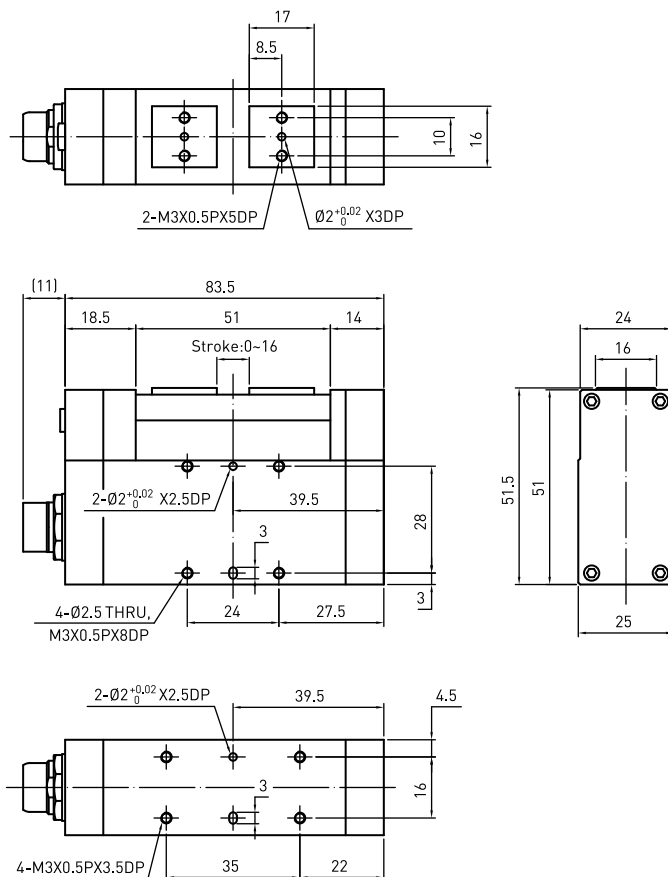
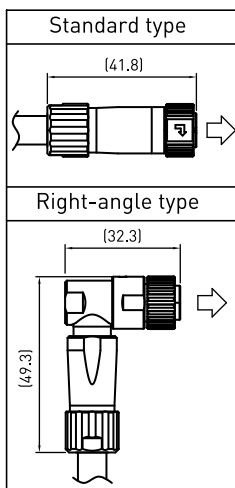
Model		XEG-16	XEG-32	XEG-64	
Gripper Spec.	Total Stroke (mm)	16	32	64	
	Gripping Force (N)	25~50	60~150	180~450	
	Speed (mm/s)	Moving	1~60	1~80	1~100
		Gripping	1~10	1~20	1~20
	Repeatability (mm)	±0.01	±0.01	±0.02	
	Weight (kg)	0.4	0.7	1.9	
IP	20				

\* Note 1: The weight of workpiece(kg) \* acceleration of gravity 9.81(m/s<sup>2</sup>) should be 1/10~1/20 of the gripping force(N).If the gripper holding a workpiece moves or turns with high-acceleration/deceleration, choose the model with higher force allowance.

## Dimension

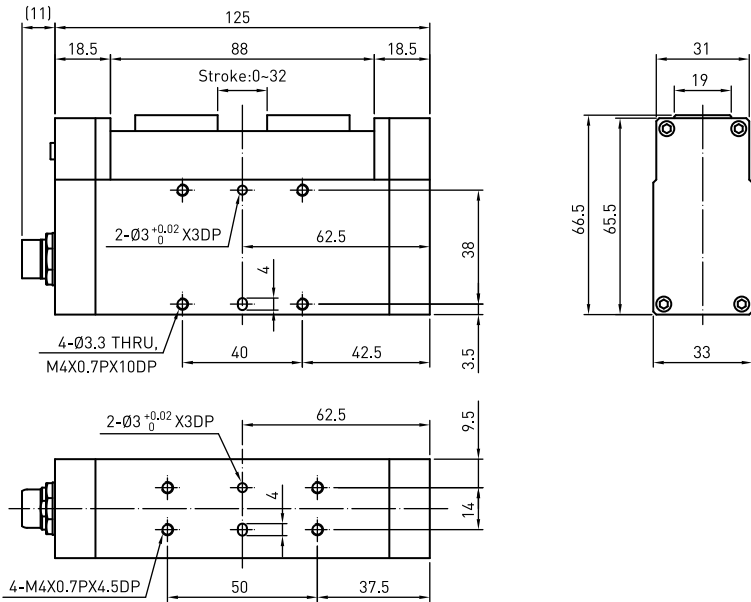
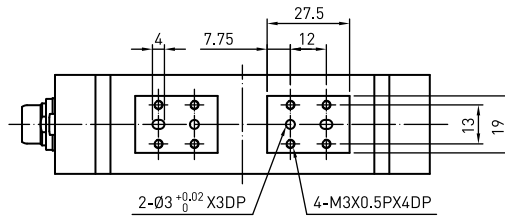
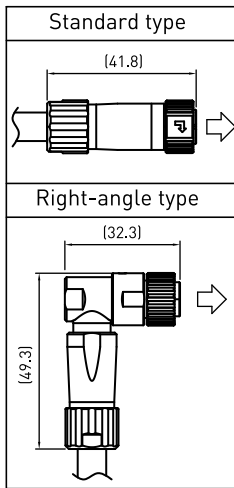
Model of XEG-16

© XEG-16 Connector



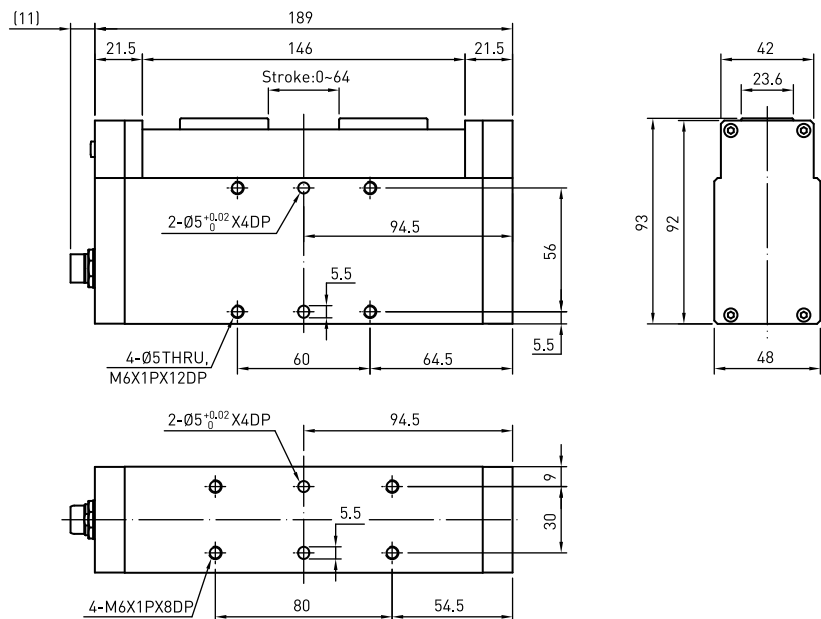
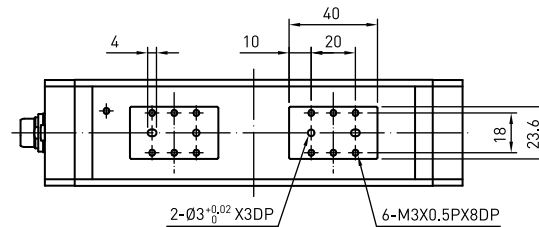
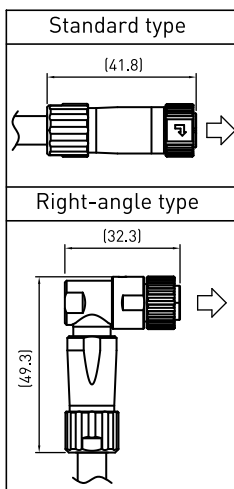
Model of XEG-32

© XEG-32 Connector



Model of XEG-64

© XEG-64 Connector



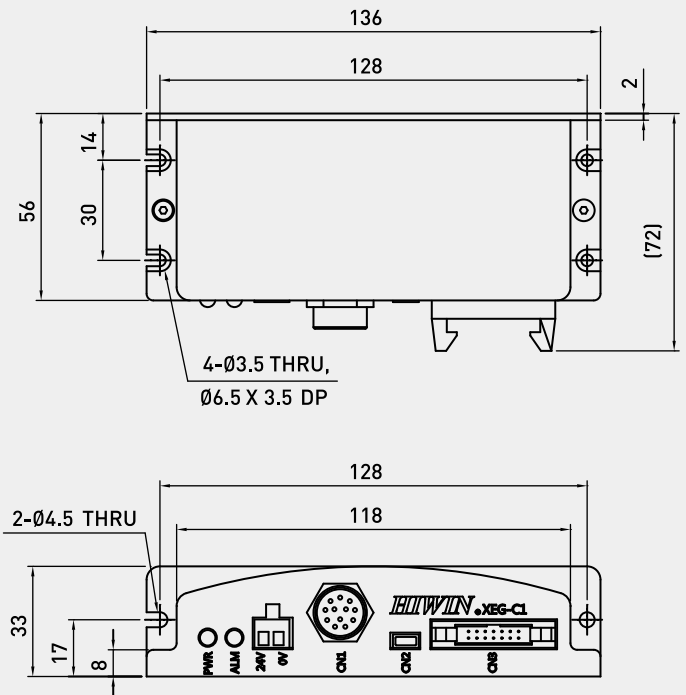
# Electric Gripper Controller

## XEG-C1



Model		XEG-C1	
Controller Spec.	Number of points	External I/O	30+1 set (Include original reset)
		Serial communication	Unlimited
	External I/O	Input	5 point: setting of position 1 point: motion command
		Output	6 point: motion output
	Serial communication	RS232	
	Weight (Kg)	0.15	
	Voltage (V)	24	
Current (A)	0.5		
IP	20		

### Dimension



# Integrated Electric Gripper

## SEG Series



### Features

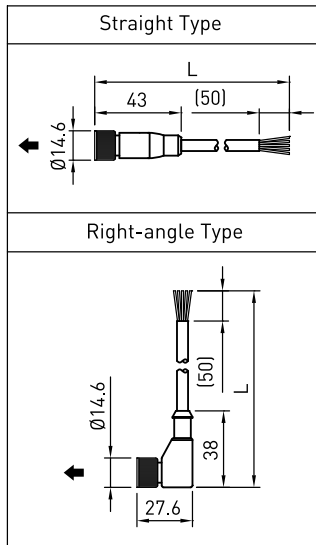
- Integrated control system  
The controller is embedded inside the gripper and the system has built-in motion parameters.
- User friendly  
Users can only control I / O signals, without having to edit programs and parameters.
- SEG-04  
Cycle time is 0.26 seconds, suitable for high-speed pick and place in operations of electric component industry.
- SEG-24  
Press to set up high-efficiency grip mode on gripper panel, with instant adaptive grip, model adjustment and other intelligent function.

Model		SEG-04	SEG-24	
Gripper Spec.	Stroke per side (mm)	2	12	
	Gripping Force (N)	8	35	
	Speed (mm/s)	Moving	-	45
		Gripping	45	15
	Repeatability (mm)	±0.1	±0.1	
	Weight (kg)	0.2	0.7	
	Voltage (V)	24	24	
	Current (A)	0.5	0.5	
IP	40	20		

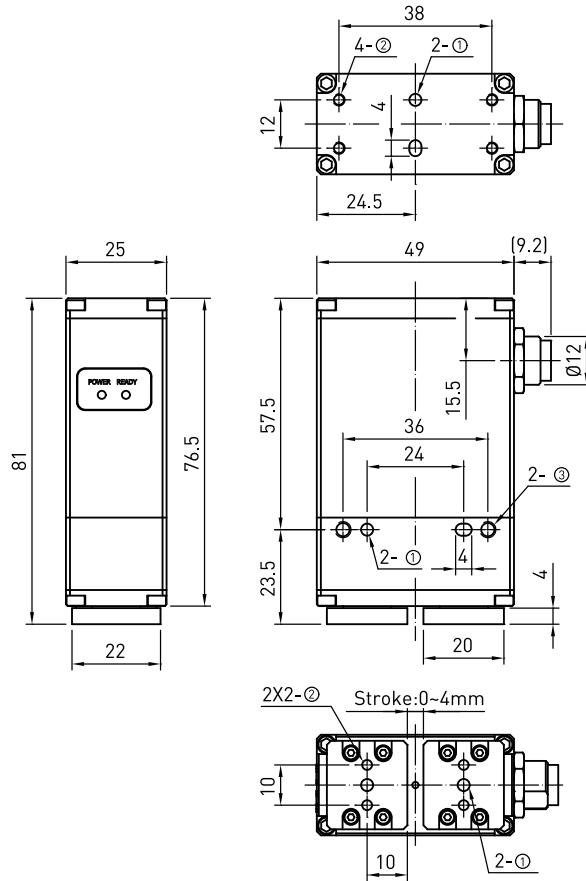
\* Note 1: The weight of workpiece(kg) \* acceleration of gravity 9.81(m/s<sup>2</sup>) should be 1/10-1/20 of the gripping force(N).If the gripper holding a workpiece moves or turns with high-acceleration/deceleration, choose the model with higher force allowance.

Model of SEG-04

Connector Cable:

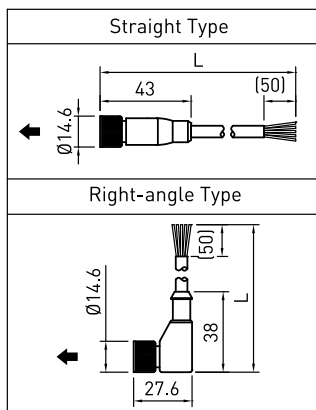


No.	Dimensioning
①	Ø3 <sup>+0.02</sup> <sub>0</sub> x2DP
②	M3x0.5Px3DP
③	M4x0.7Px6DP, Ø3.3 THRU

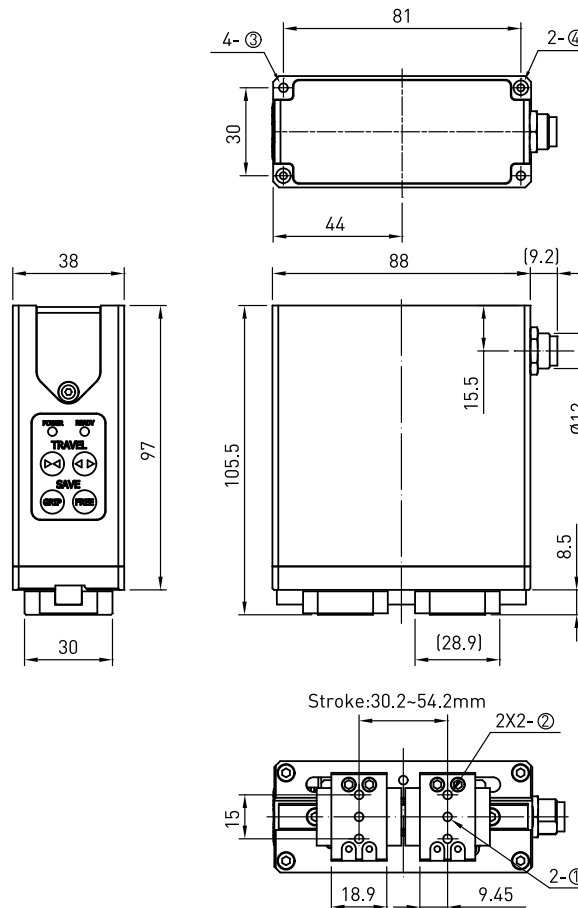


Model of SEG-24

Connector Cable:



No.	Dimensioning
①	Ø3 <sup>+0.02</sup> <sub>0</sub> X2DP
②	M3X0.5PX3DP
③	M3X0.5PX8DP
④	Ø5 <sup>+0.02</sup> <sub>0</sub> X2DP



# Integrated Electric Gripper STG Series



## Features

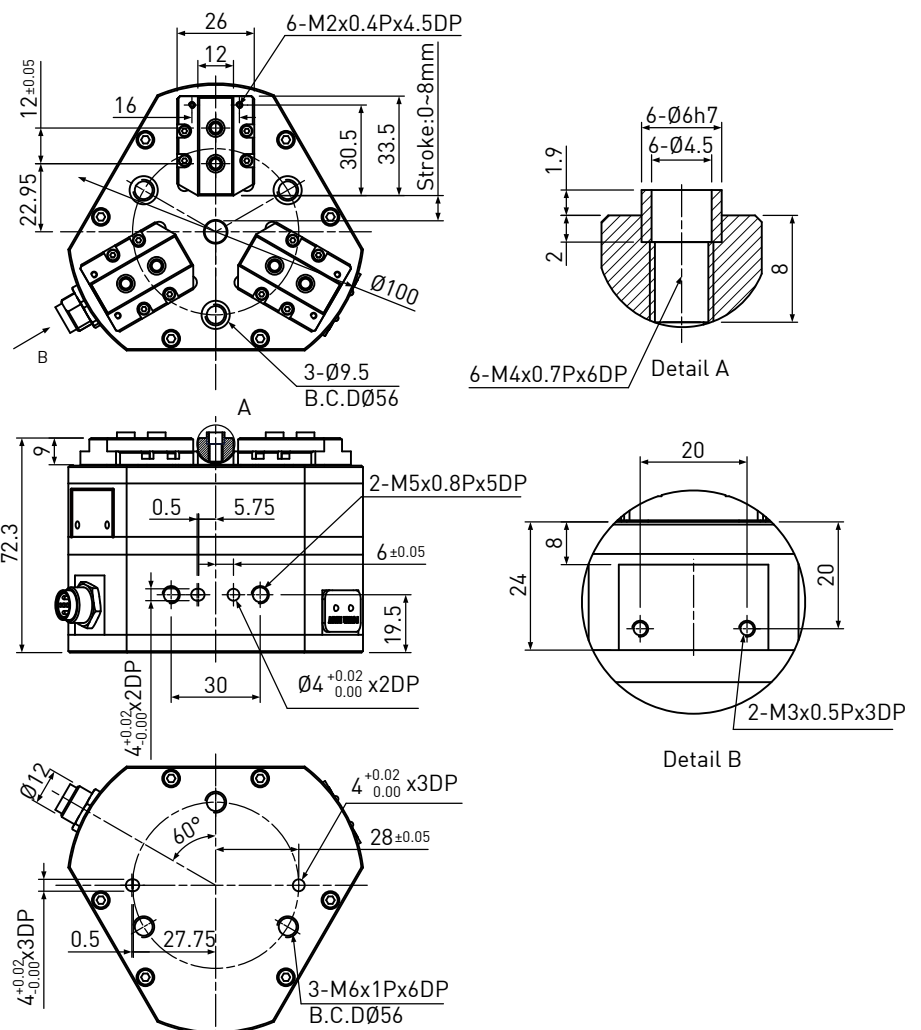
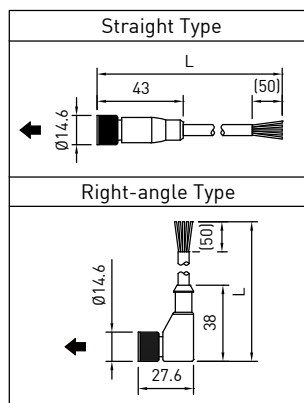
- Integrated control system  
The controller is embedded inside the gripper and the system has built-in motion parameters.
- User friendly  
Users can only control I / O signals, without having to edit programs and parameters.

Model	STG-16
Stroke per side (mm)	8
Gripping Force (N)	30
Gripping Speed (mm/s)	30
Repeatability (mm)	±0.1
Weight (kg)	0.7
Voltage (V)	24
Current (A)	0.5
IP	40

\* Note 1: The weight of workpiece(kg) \* acceleration of gravity 9.81(m/s<sup>2</sup>) should be 1/10-1/20 of the gripping force(N).If the gripper holding a workpiece moves or turns with high-acceleration/deceleration, choose the model with higher force allowance.

## Dimension

### Connector Cable:



## Electric Rotary Joint

# ERJ Series

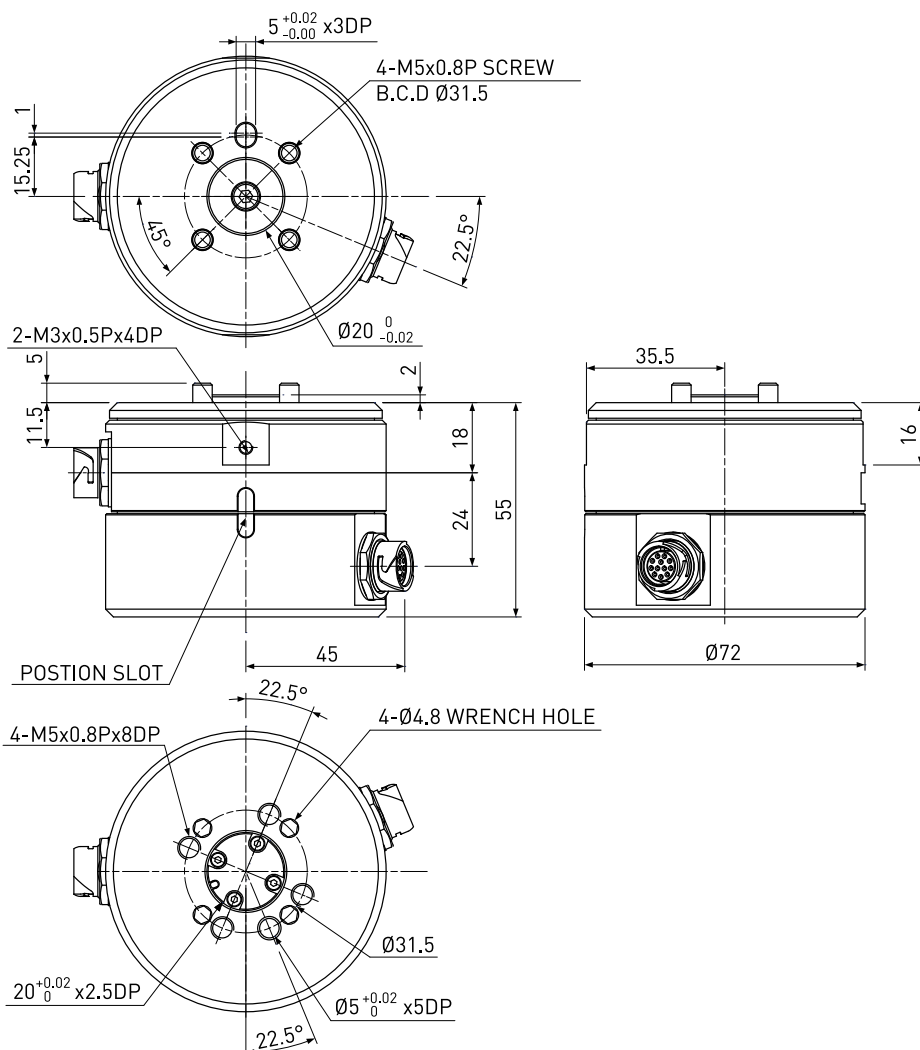


## Features

- Compact design  
12 electron path transmission makes the module height and slewing radius extremely low, which also minimizes the load affecting on the machine.
- Simple assembly  
Built-in screw to simplify the assembly process, no need to design or assembly with an extra adapter. Rotary circuit connector enhances quick assembly and prevents loose.
- International Standard Interface  
Standard flange interface of front and end side: ISO9409-1-31.5. Suitable for all types of robots and end effectors.

Model		ERJ-30
Spec.	Rotating angle	Unlimited
	Max axial force (N)	50
	Max torque (N-m)	6
	Max speed (RPM)	150
	Weight (kg)	0.6
	Circuit conduction number	12
	Circuit transmission	24V/2A
	IP	54

## Dimension



## Subsidiaries / Research Center

---

**HIWIN GmbH**  
OFFENBURG, GERMANY  
www.hiwin.de  
www.hiwin.eu  
info@hiwin.de

**HIWIN JAPAN**  
KOBE · TOKYO · NAGOYA · NAGANO ·  
TOHOKU · SHIZUOKA · HOKURIKU ·  
HIROSHIMA · FUKUOKA · KUMAMOTO,  
JAPAN  
www.hiwin.co.jp  
info@hiwin.co.jp

**HIWIN USA**  
CHICAGO, U.S.A.  
www.hiwin.com  
info@hiwin.com

**HIWIN Srl**  
BRUGHERIO, ITALY  
www.hiwin.it  
info@hiwin.it

**HIWIN Schweiz GmbH**  
JONA, SWITZERLAND  
www.hiwin.ch  
info@hiwin.ch

**HIWIN s.r.o.**  
BRNO, CZECH REPUBLIC  
www.hiwin.cz  
info@hiwin.cz

**HIWIN SINGAPORE**  
SINGAPORE  
www.hiwin.sg  
info@hiwin.sg

**HIWIN KOREA**  
SUWON · MASAN, KOREA  
www.hiwin.kr  
info@hiwin.kr

**HIWIN CHINA**  
SUZHOU, CHINA  
www.hiwin.cn  
info@hiwin.cn

**Mega-Fabs Motion**  
Systems, Ltd.  
HAIFA, ISRAEL  
www.mega-fabs.com  
info@mega-fabs.com

# HIWIN®

## HIWIN TECHNOLOGIES CORP.

No. 7, Jingke Road,  
Taichung Precision Machinery Park,  
Taichung 40852, Taiwan  
Tel: +886-4-23594510  
Fax: +886-4-23594420  
www.hiwin.tw  
business@hiwin.tw

- 
- HIWIN is a registered trademark of HIWIN Technologies Corp. For your protection, avoid buying counterfeit products from unknown sources.
  - Actual products may differ from specifications and photos provided in this catalog. These differences may be the result of various factors including product improvements.
  - HIWIN will not sell or export products or processes restricted under the "Foreign Trade Act" or related regulations. Export of restricted products should be approved by proper authorities in accordance with relevant laws and shall not be used to manufacture or develop nuclear, biochemical, missiles or other weapons.
  - HIWIN website for patented product directory: [http://www.hiwin.tw/Products/Products\\_patents.aspx](http://www.hiwin.tw/Products/Products_patents.aspx)

The specifications in this catalog are subject to change without notification.

Copyright © HIWIN Technologies Corp.

©2018 FORM C98DE03-1811 (PRINTED IN TAIWAN)